

## HawkEye 6200 Installation Guide

### Activation

Unless otherwise stated in the quotation at the time of purchase, equipment is activated on the date of shipment so it is ready to go when you receive the product.

In case your device has not been activated prior to shipment, please have the administrator of your account submit an activation request using the steps below. The administrator is the contact name listed on your service agreement. For security purposes, we will only activate devices upon the request of the administrator.

1. Locate your Iridium IMEI number (see image below).



2. Go to [www.blueskynetwork.com](http://www.blueskynetwork.com), click on **Customer Support**, and then click **Activation Request** under **Support Menu**. (Direct link: <https://support.skyrouter.com/activation-form>)
3. Fill out all required information, including your acknowledgement of our service terms and conditions.
4. Please allow 1-2 hours for activation to be completed. If your request is out of business hours (Monday-Friday from 8am-5pm PST), after-hour fees will apply.

### Installation

The HawkEye 6200 is easy to install. It offers three different types of installation.

- Tube/railing mounting.
- Magnet mounting on deck or rooftop.
- Screw mounting on deck or rooftop.

The HawkEye 6200 shall always be installed in a horizontal position with no obstructions to the sky (clear view).

The connection cable shall be routed and fixed properly to avoid dangerous situations that might occur due to loose cables. Proper installation shall be carried out for all of the mounting options.

## Magnet Mounting Installation

Hold the HawkEye 6200 with both hands, tilt the HawkEye 6200 approximately 45 degrees as shown below. Then lower it onto the steel surface and turn the HawkEye 6200 until the magnets make contact with the steel surface.

Try to do this as controlled as possible to avoid a 'slam' and keep your fingers free from the HawkEye 6200 surface contact area.

Reverse this procedure to remove a unit. Avoid sliding the unit as this might damage the magnet's corrosion protective coating and the surface it is mounted on.

It is advised to coat the magnets with ship's paint or other corrosion protective coating, prior to installation.



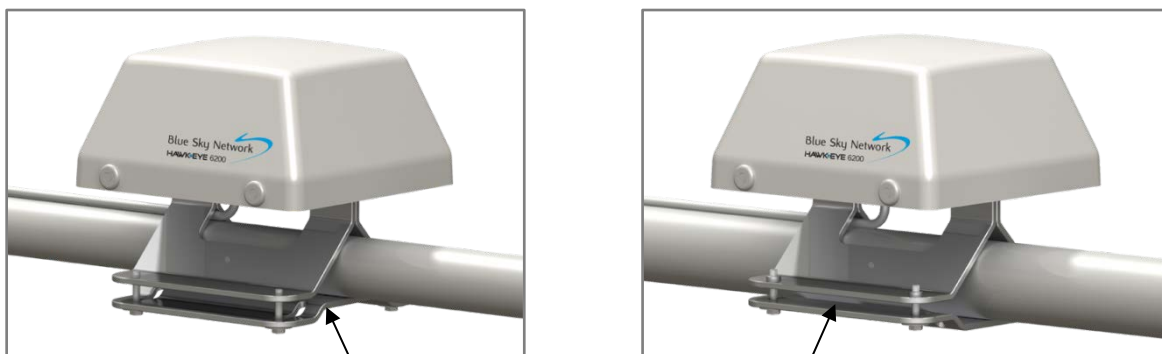
Placement on top level deck with magnet mounting.

**NOTE:** Be aware that the magnets can cause interference with the ship's compass. Keep safe distance!

## Railing or Tube Installation

The mounting hardware of the HawkEye 6200 has a clever design that allows tube clamp mounting on a wide variety of tube diameters ranging from 32mm to 60mm.

Installation on a railing or tube with a diameter less than 40mm (left) and larger than 40mm (right):

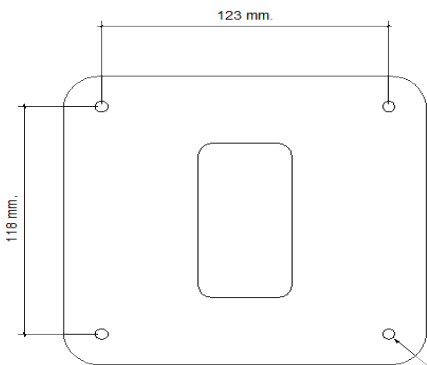


Please note the orientation of the lower mounting plate.

It is advised to wrap a sheet of thin rubber around the tube or railing to protect the paint coating. It also will add to the clamp's grip. Do not over tighten the four M5 bolts (maximum torque of 4Nm). Use an 8 mm spanner.

## Screw Mounting Installation

Drill plan (not to scale)



If the HawkEye 6200 should be installed using 4 pieces M5 bolts, drill four 5.5 mm holes according to the drill plan. See figure on the left.

If the platform screw mounting installation is desired, pay special attention to the possible water ingress due to the drilled holes in the mounting surface.

## Electrical Installation with No BIC Box

After power-up, the HawkEye 6200 will send a first GPS position automatically to confirm the unit is switched on and working properly. Please note that it can take several minutes before a message from the unit is received (depending on satellites in sight).

The HawkEye 6200 transceiver (outdoor part) comes prewired with a six or eight wire shielded cable.

Connecting the V+ and V- wire to a 12-24V/1A DC power supply is all that is needed to make the HawkEye 6200 operational. We recommend placing an inline fuse of 1A slow.

Although the power supply input is protected against polarity reversal and voltage transients, it is good practice to check (color coding) scheme once again before supplying the permanent voltage supply.

6 wire cable

Number	Color	Function	Remarks
1	Pink	Open collector output*	0.7 A / 60Vdc (sink)
2	Grey	Opto coupled digital input	5-24Vdc / 2-11mA
3	Yellow	RS485/RS422 Data+	Positive going
4	Green	RS485/RS422 Data-	Negative going
5	Brown	V+ IN	8-36Vdc / 1A Max.
6	White	V- IN	0V
7	Yellow/Green	Shield	DC isolated from 0V

\*NOTE: By default the Open Collector Output is reserved to control the Status LED on the BIC box.

8 wire cable

Number	Color	Function	Remarks
1	Blue	LED	Control of status LED
2	Pink	Open collector output	0.7 Amps / 60Vdc (sink)
3	Red	Analog input	0-30Vdc
4	Grey	Opto coupled digital input	5-24Vdc / 2. -11mA
5	Yellow	RS485/RS422 Data+	Positive going
6	Green	RS485/RS422 Data-	Negative going
7	Brown	V+ IN	8-36Vdc / 1A Max.
8	White	V- IN	0V
9	Yellow/Green	Shield	DC isolated from 0V

### Electrical Installation with the BIC Box

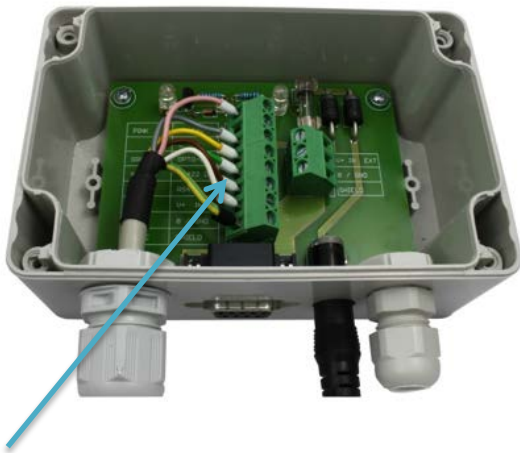
Installation becomes easier and safer when the standard included Basic Indoor Connection (BIC) box is used. It provides a 5.1mm DC jack input for 24V AC/DC adapter in parallel with a terminal block for power connection. The two DC Power inputs are separated by a diode network and it is allowed to connect both simultaneously for redundant power input. Screw type terminal blocks offer easy and proper connection of the wiring.

Enclosed is a 1A slow blow fuse. The BIC box also provides return current protection if there is a power loss and the transceiver runs from the optional embedded backup battery.

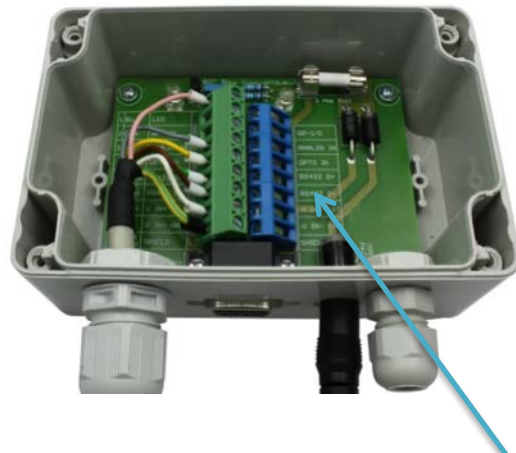
The BIC box has two LED indicators for power and system status. The blinking sequence of the four most common statuses are printed on the foil.



Check below which hardware revision of the BIC box is supplied for the correct connection.



Use this connector for external wiring



Use this connector to easily connect the external wiring like Analog in, RS485/RS422, etc.

Number	Color	Function	Remarks
1	Blue	LED	Control of status LED
2	Pink	Open collector output	0.7 Amps / 60Vdc (sink)
3	Red	Analog input	0-30Vdc
4	Grey	Opto coupled digital input	5-24Vdc / 2. -11mA
5	Yellow	RS485/RS422 Data+	Positive going
6	Green	RS485/RS422 Data-	Negative going
7	Brown	V+ IN	8-36Vdc / 1A Max.
8	White	V- IN	0V
9	Yellow/Green	Shield	DC isolated from 0V

## Electical Installation of BIC Box with Emergency Switch

Optionally the unit can be supplied with an external emergency switch. This switch is installed using the other connection outlet using the following diagram.

Color	Location
Brown	Pin 7
Green	Digital IN
Yellow	Digital IN
White	V IN-



## Support

Thank you again for choosing Blue Sky Network for your satellite communication needs. We are committed to providing you with unsurpassed customer care. Our product experts are available to answer any questions you may have and offer technical support 24 hours a day, seven days a week. For assistance, please call us at **+1 858-551-3894** or use our toll free number **+1 866-SKYPATH**. You may also email us at [support@blueskynetwork.com](mailto:support@blueskynetwork.com).