



Blue Sky Network



SKYLINK CITADEL INSTALL GUIDE

BLUE SKY NETWORK, 16559 N 92ND ST, SUITE 101, SCOTTSDALE, AZ 85260

P: +1 858-551-3894 | E: support@blueskynetwork.com | W: www.blueskynetwork.com

© 2024 BLUE SKY NETWORK, ALL RIGHTS RESERVED

NOTICE

This guide is published and copyrighted by Blue Sky Network (BSN). All information and specifications in this document are subject to change without notice. Nothing in this document is intended to create additional or separate warranties or guarantees.



16559 N 92ND ST, SUITE 101, SCOTTSDALE, AZ 85260 | P: +1 858-551-3894

E: SUPPORT@BLUESKYNETWORK.COM | W: WWW.BLUESKYNETWORK.COM

REVISION HISTORY

Date	Ver.	By	Description
12 June 2023	0.0	MZ	Initial Draft
2 Jan. 2024	1.0	MZ	Replaced logo; updated diagrams; edited content

TABLE OF CONTENTS

NOTICE	2
Revision History.....	3
Introduction	6
About SkyLink	6
Installation Components	6
SKYLINK CITADEL MOUNTING & INSTALLATION	7
Mounting	7
Above Deck Unit (ADU)	8
CABLE ROUTING & ATTACHMENT TO THE ANTENNA	8
Junction Box	9
POTS Cabinet	10
TECHNICAL SUPPORT	11

PAGE INTENTIONALLY LEFT BLANK

INTRODUCTION

This install guide demonstrates the process of mounting the SkyLink Citadel. After successful installation, please see the SkyLink Citadel User Guide to complete unit setup, including configuring device settings.

About SkyLink Citadel

SkyLink Citadel by Blue Sky Network is a resilient anti-piracy solution delivering seamless voice and data connectivity to the outside world, even in the most remote and austere environments. For premium safety at sea, an SOS switch quickly transmits messages off the ship, and the long-lasting battery backup ensures reliable communications even if the external power is off.

Installation Components

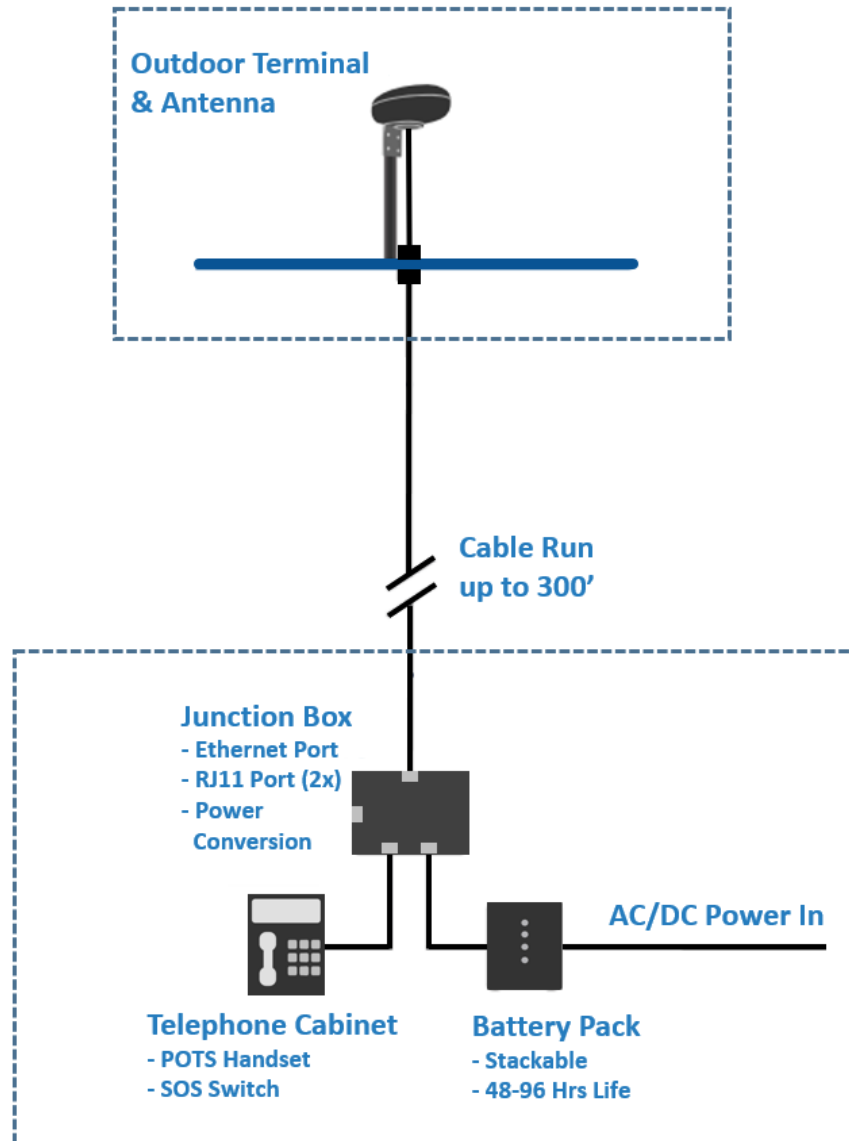
Installation components are based on the desired configuration for each unit; the list below describes the major components of the SkyLink Citadel system.

1	SL6100-CIT-B-ADU or SL6100-CIT-W-ADU	SkyLink Citadel Above Deck Unit (ADU)
2	400002-XX0	150' or 300' Cable
3	ASE-CIT-JB03	SkyLink Citadel Breakout/Junction Box
4	ASE-CB-PTS	SkyLink Citadel Wall Mount POTS Phone with Lockable Cabinet
5	SL100-BAT-EXT	SkyLink Battery Pack
6	ASE-MNT20	Clamp Mount Kit
7	SL100-MB	Universal Mounting Bracket

SKYLINK CITADEL MOUNTING & INSTALLATION

Mounting

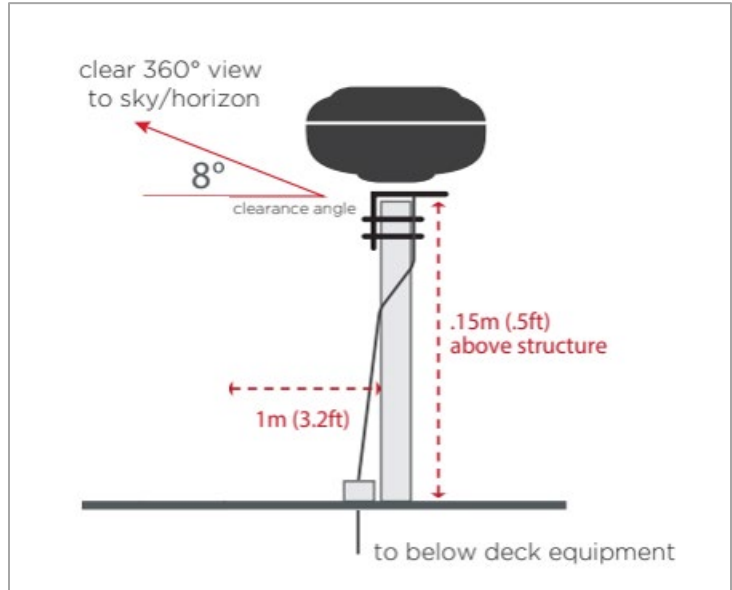
As pictured below, the SkyLink Citadel ADU can be mounted on both vertical and horizontal structures, including covert installation atop the ship's funnel.



Above Deck Unit (ADU)

The Above Deck Unit (SL6100-CIT-B-ADU and SL6100-CIT-W-ADU) has the antenna and transceiver all contained in one unit. **Please carefully review these critical installation details:**

- 1) A funnel installation is recommended as a stealth solution, though it is not suitable for all funnels. To prevent damage, ensure the installation location does not exceed 70°C.
- 2) The ADU needs 360° line-of-site to 8° off horizon to be in constant contact with the satellites. Locate the centerline of the ADU at the same height as the retaining wall and 1M inward.
- 3) The Universal Pipe Mount supports the installation of horizontal and vertical pipes of 1" to 2" in diameter. Mount the antenna with the "seam" parallel to the horizon and keep blockage to a minimum. Once you have identified your preferred location of antenna installation, adjust the V-Bolts to accommodate either a vertical or horizontal placement.



CABLE ROUTING & ATTACHMENT TO THE ANTENNA

Choose the most optimal pathway and route the cable from the antenna to the Citadel's location, connecting any extensions if needed. Care must be taken when routing the cable.

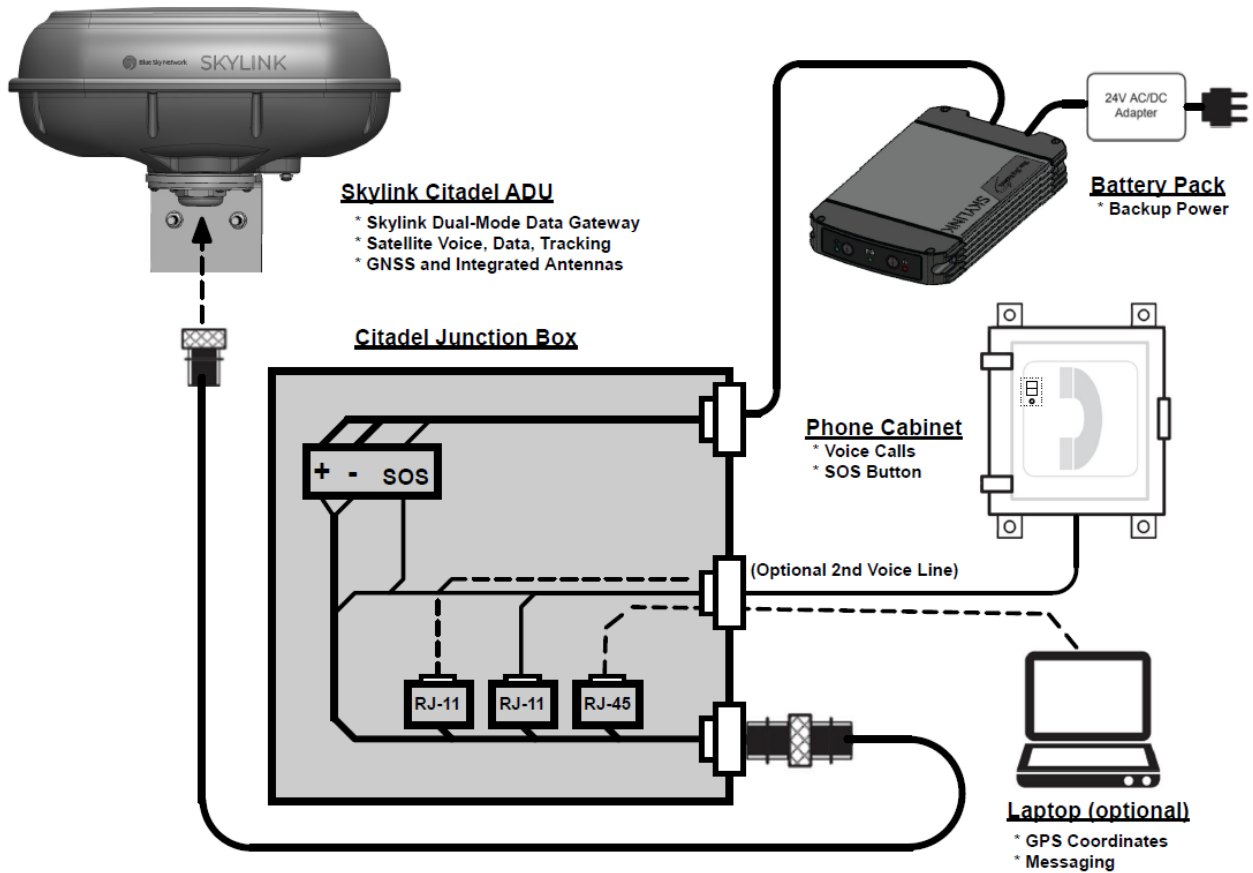
The max connector diameter should be considered when passing through holes or running in conduit. The max bend radius is important to consider to prevent damaging internal wires.

Cable Diameter	.340 +/- .010"
Max Connector Size	1.23" (31.2 mm)
Max Temperature	105°C



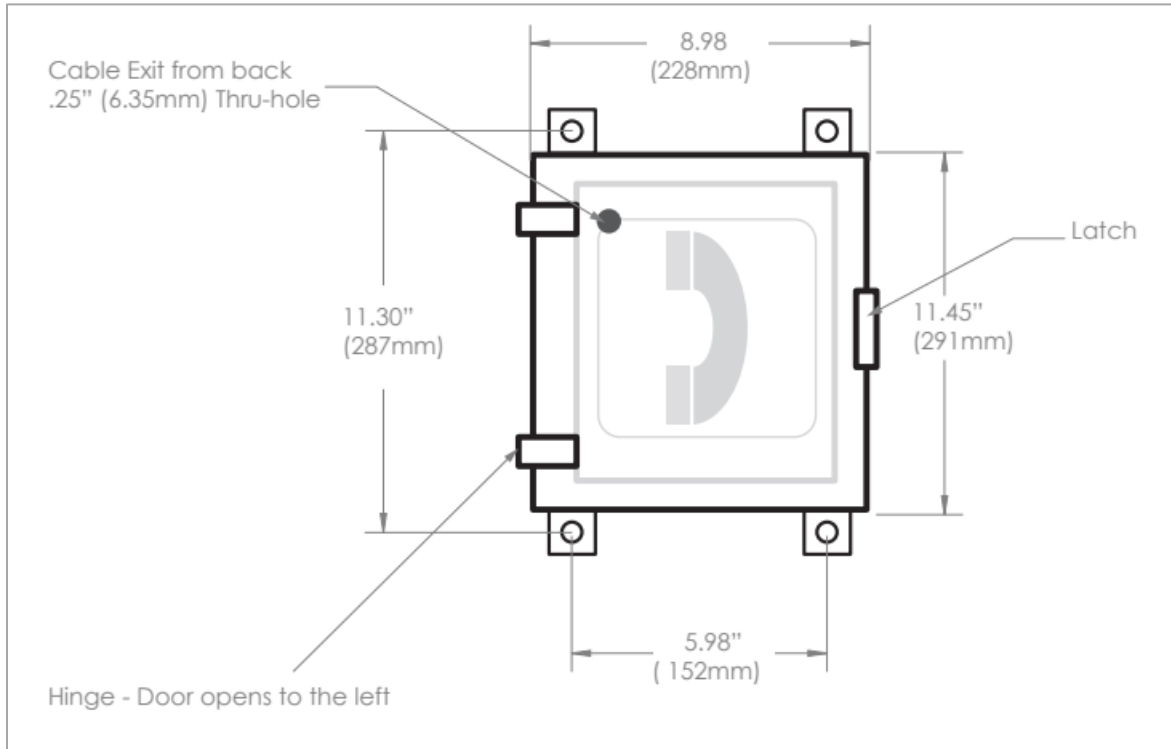
Junction Box

The junction box provides the termination point for the ADU cable. Terminated inside the junction box is 2x POTS (2-wire RJ-11), Ethernet (RJ-45), and power (24VDC).



POTS Cabinet

The POTS cabinet connects to the POTS (2-wire RJ-11 port) in the junction box and comes with 50' (15m) of 2-wire already connected. The 2-wire is terminated with an RJ-11 header and plugs directly into the RJ-11 port in the junction box.



TECHNICAL SUPPORT

Blue Sky Network is committed to providing the highest level of service and support. If you have any questions or concerns, please feel free to contact us by email or phone; contact information is available at the bottom of this page. For self-help, please visit <https://support.blueskynetwork.com/>

Thank you for choosing Blue Sky Network!



16559 N 92ND ST, SUITE 101, SCOTTSDALE, AZ 85260 | P: +1 858-551-3894

E: SUPPORT@BLUESKYNETWORK.COM | W: WWW.BLUESKYNETWORK.COM