



Blue Sky Network

SKYLINK COMCENTER INSTALL GUIDE

BLUE SKY NETWORK, 11100 ENDEAVOR CT, SUITE 300, MANASSAS, VA 20109

P: +1 858-551-3894 | E: SUPPORT@BLUESKYNETWORK.COM | W: WWW.BLUESKYNETWORK.COM

© 2024 BLUE SKY NETWORK, ALL RIGHTS RESERVED

NOTICE

This guide is published and copyrighted by Blue Sky Network (BSN). All information and specifications in this document are subject to change without notice. Nothing in this document is intended to create additional or separate warranties or guarantees.



11100 ENDEAVOR CT, SUITE 300, MANASSAS, VA 20109 | P: +1 858-551-3894

E: SUPPORT@BLUESKYNETWORK.COM | W: WWW.BLUESKYNETWORK.COM

REVISION HISTORY

| Date | Ver. | By | Description |
|--------------|------|----|---------------|
| May 24, 2024 | 0.0 | MZ | Initial Draft |
| | | | |
| | | | |
| | | | |
| | | | |
| | | | |

TABLE OF CONTENTS

| | |
|--|----|
| NOTICE | 2 |
| Revision History..... | 3 |
| Introduction | 6 |
| About SkyLink ComCenter | 6 |
| Installation Components | 6 |
| SKYLINK COMCENTER MOUNTING & INSTALLATION | 7 |
| Mounting | 7 |
| Above Deck Unit (ADU) | 8 |
| CABLE ROUTING & ATTACHMENT TO THE ANTENNA | 8 |
| Junction Box | 9 |
| TECHNICAL SUPPORT | 10 |

PAGE INTENTIONALLY LEFT BLANK

INTRODUCTION

This install guide demonstrates the process of mounting the SkyLink ComCenter. After successful installation, please see the SkyLink ComCenter User Guide to complete unit setup, including configuring device settings.

About SkyLink ComCenter

SkyLink ComCenter by Blue Sky Network is a resilient business continuity solution delivering uninterrupted voice and data connectivity during network and power grid disruptions. For real-time situational awareness, automated SOS alerts transmit emergency messages to offsite corporate locations. Interface SkyLink ComCenter with a UPS for continuous communications during and after disruptive events.

Installation Components

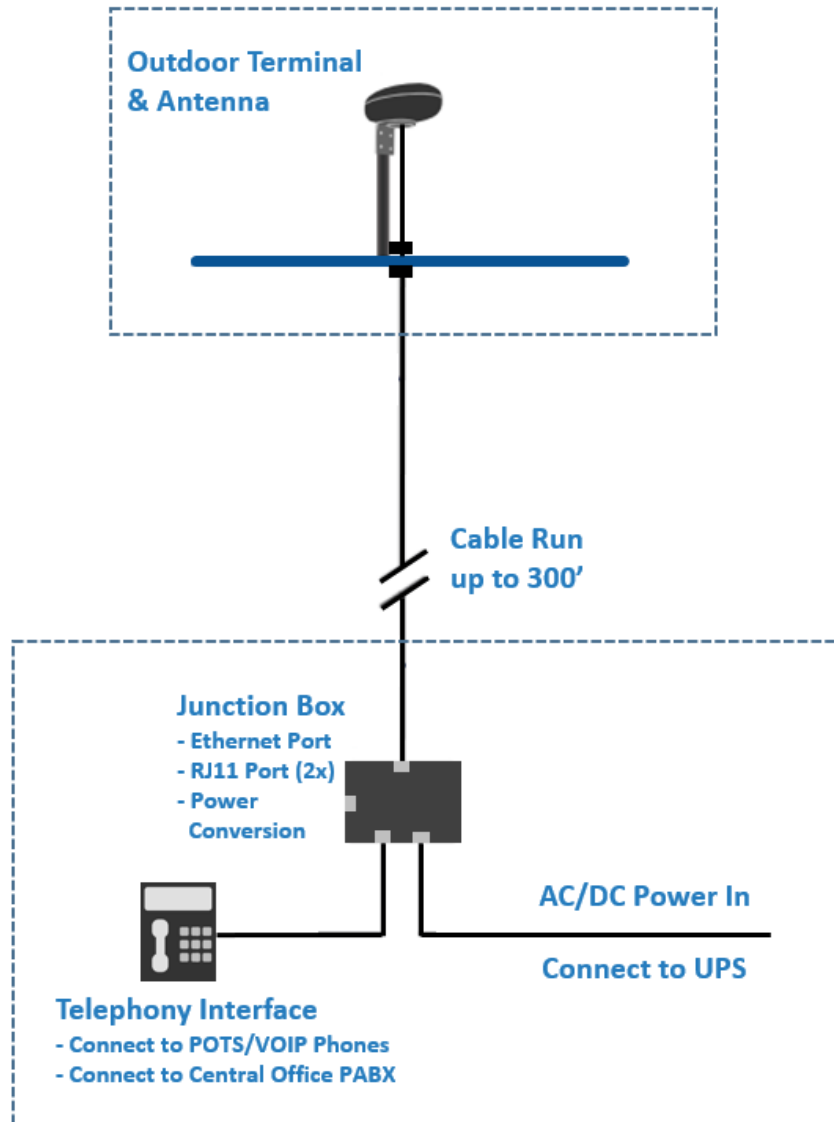
Installation components are based on the desired configuration for each unit; the list below describes the major components of the SkyLink ComCenter system.

| | | |
|---|--------------------------------|---|
| 1 | SL5100-LM-COM-W-ADU (or-B-ADU) | SkyLink ComCenter Above Deck Unit (ADU) |
| 2 | 400002-XX0 | 150' or 300' Cable |
| 3 | ASE-CIT-JB03 | SkyLink ComCenter Breakout/Junction Box |
| 4 | ASE-MNT20 | Clamp Mount Kit |

SKYLINK COMCENTER MOUNTING & INSTALLATION

Mounting

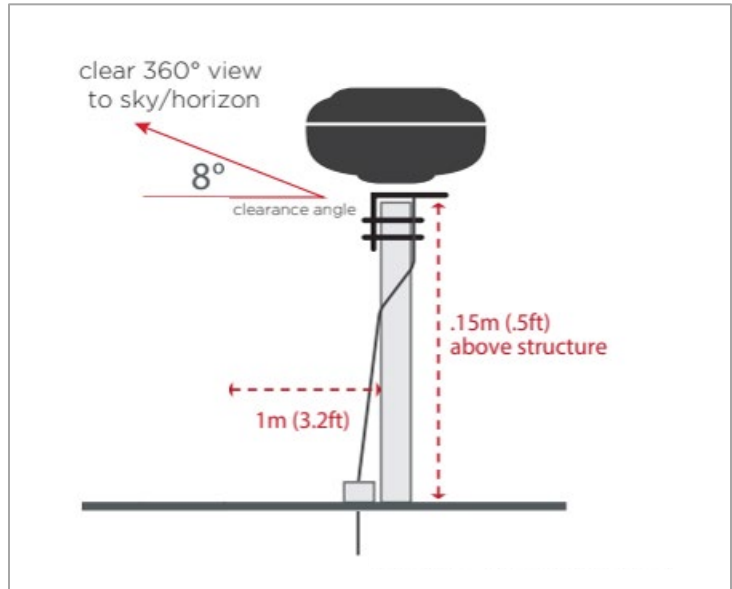
As pictured below, the SkyLink ComCenter ADU can be mounted on both vertical and horizontal structures.



Above Deck Unit (ADU)

The Above Deck Unit (SL5100-LM-COM-W or B-ADU) has the antenna and transceiver all contained in one unit. **Please carefully review these critical installation details:**

- 1) To prevent damage, ensure the installation location does not exceed 70°C.
- 2) The ADU needs 360° line-of-sight to 8° off horizon to be in constant contact with the satellites. Locate the centerline of the ADU at the same height as the retaining wall and 1M inward.
- 3) The Universal Pipe Mount supports the installation of horizontal and vertical pipes of 1" to 2" in diameter. Mount the antenna with the "seam" parallel to the horizon and keep blockage to a minimum. Once you have identified your preferred location of antenna installation, adjust the V-Bolts to accommodate either a vertical or horizontal placement.



CABLE ROUTING & ATTACHMENT TO THE ANTENNA

Choose the most optimal pathway and route the cable from the antenna to the ComCenter's location, connecting any extensions if needed. Care must be taken when routing the cable.

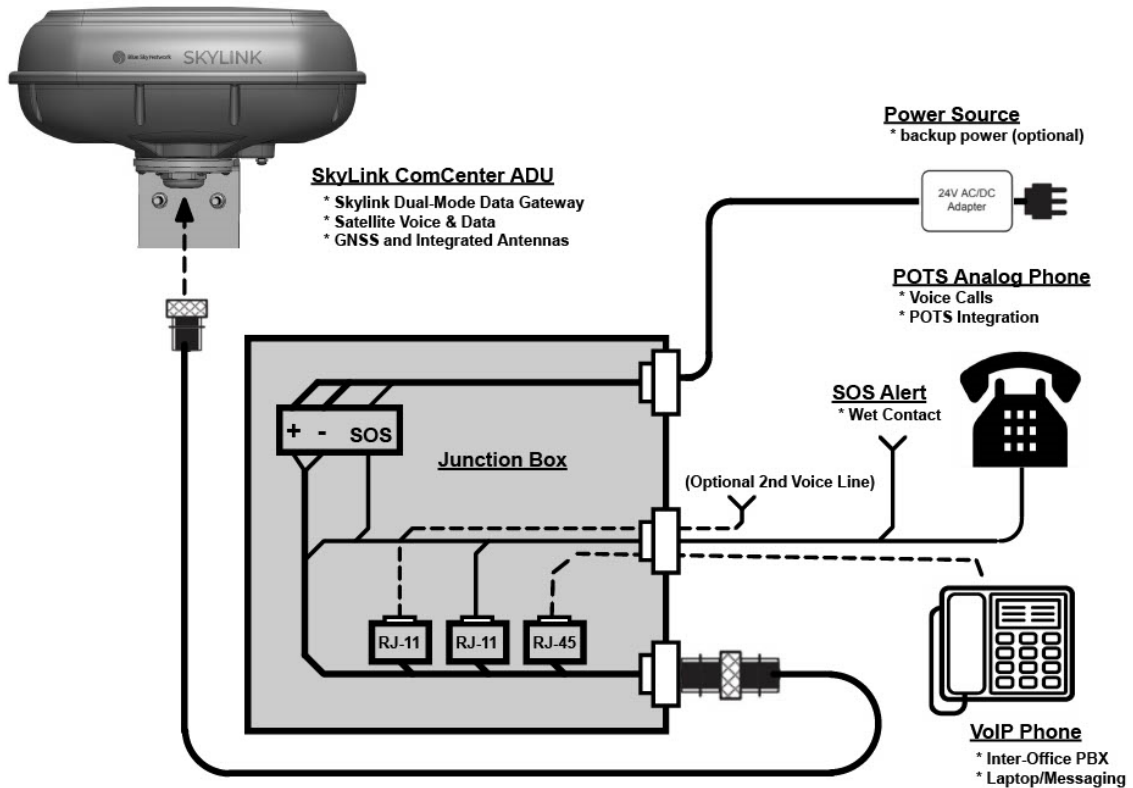
The max connector diameter should be considered when passing through holes or running in conduit. The max bend radius is important to consider to prevent damaging internal wires.

| | |
|--------------------|-----------------|
| Cable Diameter | .340 +/- .010" |
| Max Connector Size | 1.23" (31.2 mm) |
| Max Temperature | 105°C |



Junction Box

The junction box provides the termination point for the ADU cable. Terminated inside the junction box is 2x POTS (2-wire RJ-11), Ethernet (RJ-45), and power (24VDC).



TECHNICAL SUPPORT

Blue Sky Network is committed to providing the highest level of service and support. If you have any questions or concerns, please feel free to contact us by email or phone; contact information is available at the bottom of this page. For self-help, please visit <https://support.blueskynetwork.com/>.

Thank you for choosing Blue Sky Network!



11100 ENDEAVOR CT, SUITE 300, MANASSAS, VA 20109 | P: +1 858-551-3894

E: SUPPORT@BLUESKYNETWORK.COM | W: WWW.BLUESKYNETWORK.COM