

# ASE VEHICLE PTT PUSH-TO-TALK ASE-9575P-VEH



## SUMMARY OF KEY FEATURES

- PROVIDES IN-VEHICLE SOLUTION FOR IRIDIUM PUSH-TO-TALK (PTT)
- NATURAL USE WITH PALM/SPEAKER MIC.
- RUGGED CONNECTORS FOR WIDE RANGING VEHICLE VOLTAGES-9 TO 32VDC
- EASY CONNECTION TO VEHICLE ANTENNA FOR IRIDIUM AND GPS
- SUPPORTS THIRD-PARTY PTT ACCESSORIES
- ALLOWS USE OF IRIDIUM PTT USE WHILE MOVING. NO NEED TO STOP VEHICLE.
- NO NEED TO EXIT VEHICLE TO COMMUNICATE

## ASE AND IRIDIUM PUSH-TO-TALK (PTT) Iridium 9575 PTT Vehicle Installation Kit

Shown below are the components that ship with, or can be used with the ASE-9575P-VEH-KIT.

### COMPONENT DETAILS



**Dual Mode Antenna**  
Low Profile Dual Mode Iridium +GPS  
Antenna with 5M Low Loss Cable



**Rugged 10-32VDC**  
Ruggedized connectors for wide  
ranging Power Supplies.



**RAM Vehicle Mounting**  
Ram Mounting for Flexible Installa-  
tion.



**ASE-9575P-VEH**

Voltage	10-32 VDC	Cable or DC Adapter
Power	12 Watts	Active Peak
Antenna Connections	Iridium SMA-F	GPS SMA-F
Operating Temp	-10 to 55 C	
Dimensions	13 x 6 x 4.5 in.	33 x 15 x 11.5 cm
Weight	3.5 lbs.	1.6 kG
Shipping Weight	6.0 lbs.	2.7 kG
Shipping Dimensions	16 x 14 x 8 in.	41 x 36 x 20 cm

**IRIDIUM 9575 VOICE OR PTT VEHICLE DOCKING STATION**

**ADDITIONAL FEATURES/COMPONENTS**



**Dual Antenna Options.**

- ▶ Magnetic-Low Cost Available.
  - ▶ ASE Recommends DMVA05
- ASE DMVA05-Dual Mode Ships with 5 Meter Cable**



**Rugged Expandable**

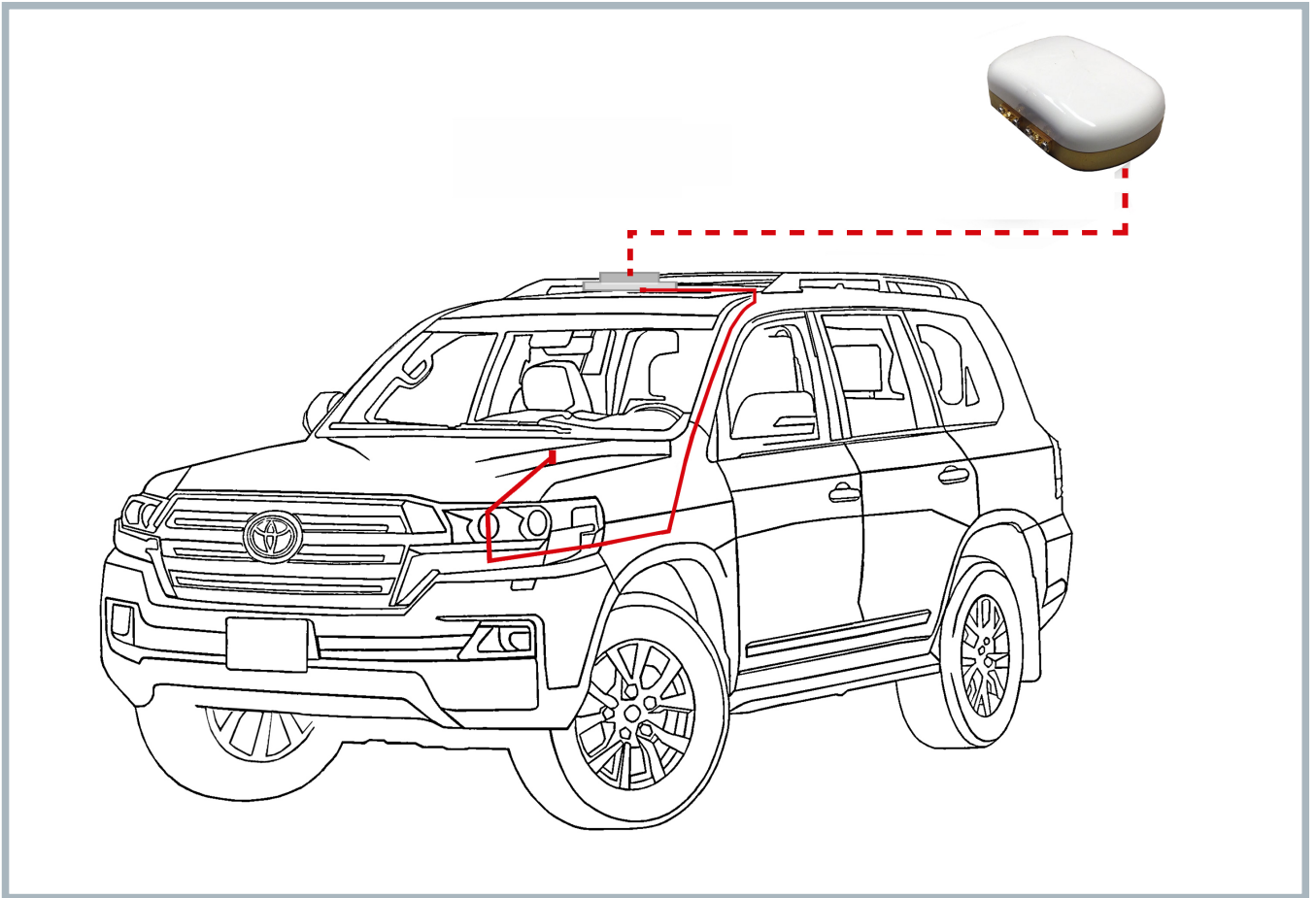
Perfect for High Noise Environment.  
**Third Party Headphones.**  
 Use S2 Connectors.  
 Contact us for Assistance.



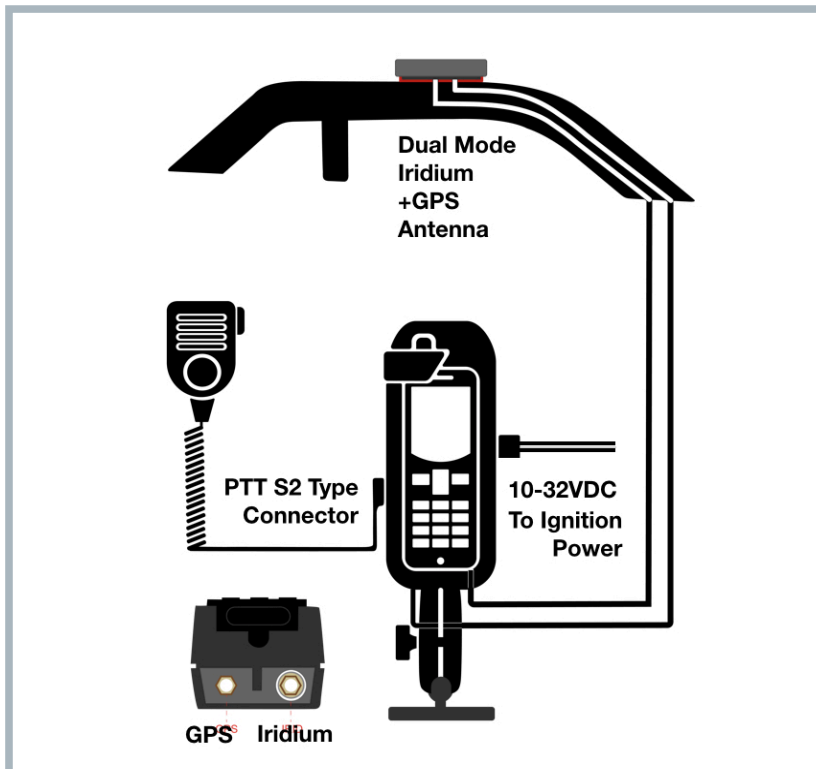
**PTT Components.**

Any S2 Connector  
 Includes Blue Tooth Accessories  
**Search for S2 connectors.**  
 Contact us for Assistance.

# INSTALLATION DETAILS-VEHICLE



**EXAMPLE ANTENNA  
CABLE ROUTING**



**SCHEMATIC OF CONNECTIONS**

# ALSO CONSIDER THESE FOR VEHICLES-GRAB AND GO



ASE-BAGDOCK ASE-9575P BAGDOCK



ASE-BOXDOCK ASE-9575P BOXDOCK

# PTT PACKAGES and COMPONENTS

## EQUIPMENT AND SHIPPING INFORMATION

ASE-  
9575P-VEH

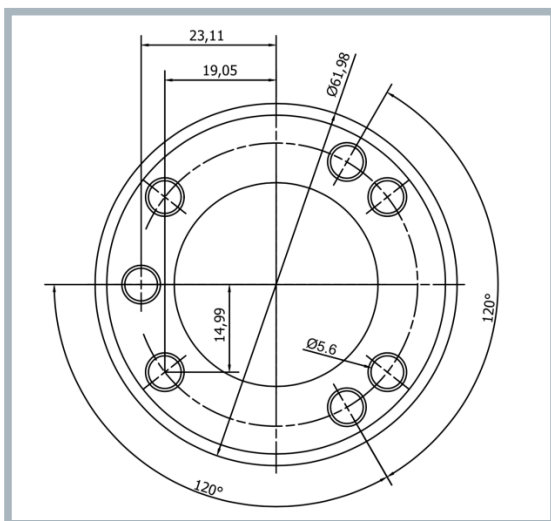
Standard/Push to Talk Docking Station with POTS and GPS - includes dock, RAM Mount, fist speaker/mic

Harmonized Code - HTS#: 8518.30.2000 ECCN: EAR99

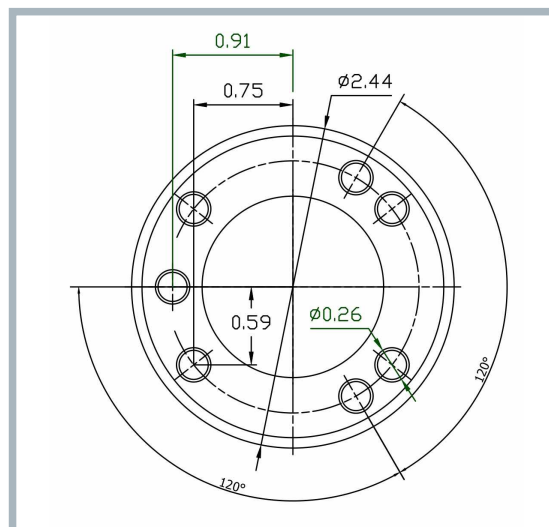
Shipping Dimensions: 16 x 14 x 8, 6 LBS (41 cm x 36cm x 20cm, 3 kg)



## ADDITIONAL INFORMATION



RAM MOUNTING-METRIC



RAM MOUNTING-INCHES



# Contact ASE

## ASE-HEADQUARTERS

16559 N. 92nd Street  
Scottsdale, Arizona  
85260  
USA

Phone +1 480 443 1424

E-mail [info@ase-corp.com](mailto:info@ase-corp.com)

## ASE-INTERNATIONAL

Galway  
Republic of Ireland

Phone +353 85 761 5506

E-mail [info@ase-corp.com](mailto:info@ase-corp.com)



[www.ase-corp.com](http://www.ase-corp.com)

**ASE**  
APPLIED SATELLITE ENGINEERING